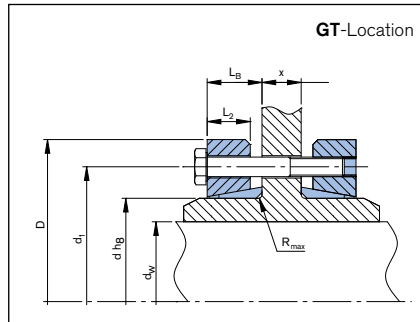
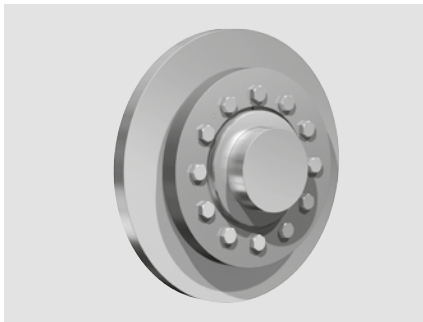
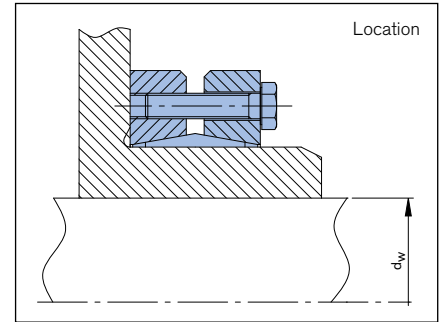
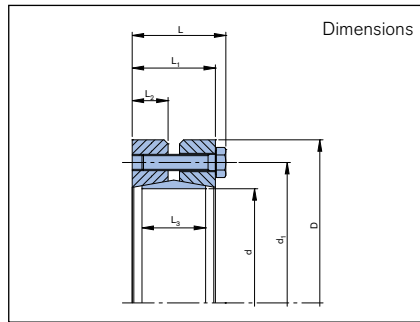
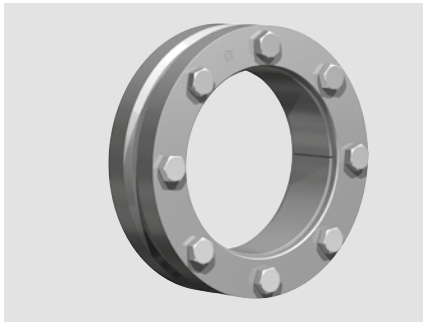


RINGFEDER® Shrink Discs

# RfN 4051

Light Duty Series · split



<b>d</b> = Inner ring diameter	<b>L<sub>3</sub></b> = Width of ring	<b>D<sub>G</sub></b> = Thread
<b>D</b> = Outer diameter	<b>L<sub>B</sub></b> = Width of the half Shrink Disc	<b>G<sub>w</sub></b> = Weight
<b>d<sub>w</sub></b> = Solid shaft diameter	<b>T<sub>A</sub></b> = Max tightened torque of the screws	<b>σ<sub>v</sub></b> = Equivalent stress in the hub
<b>d<sub>1</sub></b> = Pitch circle diameter	<b>T</b> = Transmissible torque at given T <sub>A</sub>	Calculated combined stress in the hub
<b>L</b> = Overall width	<b>F<sub>ax</sub></b> = Transmissible axial force	extension (d/d <sub>w</sub> ) under consideration of the
<b>L<sub>1</sub></b> = Overall width without screws	<b>P</b> = Hub surface pressure	tangential, radial and torsional stresses.
<b>L<sub>2</sub></b> = Thrust ring width	<b>n<sub>Sc</sub></b> = Quantity of locking screws	<b>T<sub>max</sub></b> = Max. transmissible torque

Shrink discs dimensions										Transmissible torques or axial forces			Locking screws <sup>1)</sup> ISO 4014/4017 - 10.9					
d	x	D	d <sub>w</sub>	d <sub>1</sub>	L	L <sub>1</sub>	L <sub>2</sub>	L <sub>3</sub>	L <sub>B</sub>	T <sub>A</sub> <sup>1)</sup>	T	F <sub>ax</sub>	P	σ <sub>v</sub>	n <sub>Sc</sub>	D <sub>G</sub>	G <sub>w</sub>	T <sub>max</sub>
mm		mm	mm	mm	mm	mm	mm	mm	mm	Nm	Nm	kN	N/mm <sup>2</sup>	N/mm <sup>2</sup>			kg	Nm
125	x	185	95	158	58	51	22	39	30,5	59	10550	220	191	278	8	M 10	5,1	13200
			100								12100	240		280				15125
			105								13800	260		288				17250
			110								14800	265		268				18500
140	x	220	120	175	58	51	22	39	30,85	59	18640	310	192	281	9	M 10	8	23300
			125								20500	325		315				25625
			130								24000	365		293				30000
			135								26400	390		306				33000
155	x	245	135	192	58	51	22	39	30,5	59	29000	410	212	334	11	M 10	10	36250
			140								32000	475		298				40000
			135								35200	500		308				44000
			145								38500	530		327				48125

To continue see next page

RINGFEDER® Shrink Discs

RfN 4051

Light Duty Series · split

Shrink discs dimensions										Transmissible torques or axial forces				Locking screws <sup>1)</sup> ISO 4014/4017 - 10.9				
d	x	D	d <sub>w</sub>	d <sub>1</sub>	L	L <sub>1</sub>	L <sub>2</sub>	L <sub>3</sub>	L <sub>B</sub>	T <sub>A</sub> <sup>1)</sup>	T	F <sub>ax</sub>	P	σ <sub>v</sub>	n <sub>Sc</sub>	D <sub>G</sub>	G <sub>w</sub>	T <sub>max</sub>
mm			mm	mm	mm	mm	mm	mm	mm	Nm	Nm	kN	N/mm <sup>2</sup>	N/mm <sup>2</sup>			kg	Nm
175	x	275	145	220	70	62	26	46	36	100	39000	535	232	302	11	M 12	14,7	48750
			150								42400	560	232	313				53000
			155								46000	590	232	334				57500
185	x	295	155	225	70	62	26	46	36	100	46600	600	240	307	12	M 12	17,2	58250
			160								50300	625	240	319				62875
			165								54000	650	240	341				67500
195	x	315	165	237	80	72	31	56	41	100	63000	760	233	306	15	M 12	23,8	78750
			170								67700	795	233	323				84625
			175								72500	825	233	355				90625
200	x	330	175	242	80	72	31	56	41	100	74000	850	243	334	16	M 12	26,8	92500
			180								79500	890	243	368				99375
			185								84500	915	243	440				105625
220	x	345	180	265	94	84	36	66	47	250	82800	920	220	277	10	M 16	32	103500
			190								93500	980	220	306				116875
			200								105000	1055	220	367				131250
240	x	370	200	290	94	84	36	66	47	250	113000	1135	243	304	12	M 16	36	141250
			210								127500	1210	243	330				159375
			215								134500	1250	243	356				168125
260	x	395	220	310	102	92	40	72	52,5	250	149000	1350	240	303	14	M 16	48	186250
			230								165000	1435	240	334				206250
			235								173000	1475	240	364				216250
280	x	425	230	333	114	104	46	84	59,5	250	171000	1485	218	270	16	M 16	60	213750
			240								189000	1570	218	287				236250
			250								208000	1660	218	324				260000
300	x	460	250	358	114	104	46	84	59,5	250	215000	1720	229	279	18	M 16	70	268750
			260								234000	1800	229	303				292500
			270								255000	1890	229	342				318750
320	x	495	270	378	116	106	48	84	60,5	250	260000	1940	239	293	20	M 16	84	325000
			280								284000	2030	239	313				355000
			290								306000	2125	239	355				382500
340	x	535	290	402	116	106	48	84	60,5	250	300000	2070	236	288	21	M 16	100	375000
			300								324000	2160	236	309				405000
			305								337000	2210	236	326				421250
350	x	545	300	413	135	122	54	100	68,5	490	372000	2485	230	292	16	M 20	120	465000
			305								385000	2540	230	304				481250
			310								400000	2590	230	320				500000
360	x	555	300	423	135	122	54	100	68,5	490	360000	2400	223	270	16	M 20	125	450000
			310								388000	2500	223	284				485000
			320								415000	2590	223	314				518750
380	x	585	320	442	149	136	60	112	75,5	490	435000	2720	213	268	18	M 20	150	543750
			325								451000	2780	213	275				563750
			330								467000	2835	213	285				583750
390	x	595	330	452	149	136	60	112	78	490	505000	3060	230	285	20	M 20	156	631250
			340								540000	3175	230	304				675000
			350								577000	3295	230	337				721250
400	x	615	340	462	149	136	60	112	78	490	550000	3235	236	291	21	M 20	164	687500
			350								587000	3360	236	311				733750
			360								626000	3480	236	345				782500
420	x	630	350	485	157	144	64	120	82	490	578000	3300	219	265	22	M 20	185	722500
			360								617000	3425	219	277				771250
			370								655000	3545	219	297				818750

To continue see next page

RINGFEDER® Shrink Discs

RfN 4051

Light Duty Series · split

Shrink discs dimensions										T <sub>A</sub> <sup>1)</sup>	Transmissible torques or axial forces		P	σ <sub>v</sub>	Locking screws <sup>1)</sup> ISO 4014/4017 - 10.9		G <sub>w</sub>	T <sub>max</sub>
d	x	D	d <sub>w</sub>	d <sub>1</sub>	L	L <sub>1</sub>	L <sub>2</sub>	L <sub>3</sub>	L <sub>B</sub>		T	F <sub>ax</sub>			n <sub>Sc</sub>	D <sub>G</sub>		
mm		mm	mm	mm	mm	mm	mm	mm	mm	Nm	kN	N/mm <sup>2</sup>	N/mm <sup>2</sup>					
440	x	660	370	505	157	144	64	120	82	490	677000	3785	229	287	24	M 20	205	846250
			719000								3660							898750
			762000								3910							952500
460	x	685	390	527	171	158	71	132	91,5	490	840000	4460	232	299	28	M 20	235	1050000
			890000								4320							1112500
			935000								4580							1170000
480	x	715	410	547	171	158	71	132	91,5	490	891000	4480	222	290	28	M 20	255	1113750
			941000								4350							1176250
			966000								4548							1207500
500	x	750	425	567	171	158	71	132	91,5	490	986000	4712	228	281	30	M 20	285	1232500
			1013000								4645							1266250
			1066000								4845							1332500

More sizes on request

Ordering example: RfN 4051

Series	d	D	Version
RfN 4051	420	630	
RfN 4051	420	630	GT

GT = split

<sup>1)</sup> Shrink discs GT delivered without screws. Tightening torques for screws see table

- Surface finishes for shaft R<sub>a</sub> ≤ 3,2 μm
- Tolerances for shaft see table
- When using a hollow shaft instead of a solid shaft please contact our Engineering-Team

d <sub>w</sub>		ISO	max. Clearance S mm
above	up to		
6	10	H6/j6	0,011
10	18		0,014
18	30		0,017
30	50	H6/h6	0,032
50	80	H6/g6	0,048
80	120	H7/g6	0,069
120	180		0,079
180	250		0,090
250	315		0,101
315	400		0,111
400	500		0,123
500	630		0,136
630	800		0,154

Subject to technical change.